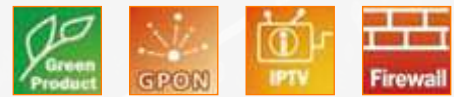


BT-323XR

1GE+3FE+2.4G WLAN XPON ONU Product Specification

BT-323XR model ONU is a user terminal device independently developed by BTPT in line with such industrial background. The device has built-in two-layer switching function and three-layer routing function. With compact structure and small appearance, it is a kind of FTTH optical network unit with high performance and low power consumption, which is very suitable for the application requirements of various data services in FTTH networking scenarios of various operators. BT-323XR is an XPON product that can be adapted to EPON and GPON networks without replacing equipment and firmware.



Features:

- Support EPON/GPON mode and switch mode automatically
- GPON: Compliance with IEEE 802.3ah & itu-t g.984.x standard
- GPON: 8 T-CONTs, 32 GEM Ports
- Integrate OMCI(GPON)/OAM(EPON) and TR-069 remote configuration and maintenance
- Layer 3 Home Gateway/CPE features with Hardware NAT, support Multiple WAN, Route/Bridge mode, etc
- Layer 2 Switching, support 802.1Q VLAN, 802.1P QOS, Bandwidth Control, Spanning Tree, etc
- Support PPPoE/ Static IP/ DHCP
- Bi-directional FEC
- Support IPv4, IPv6 and IPv4/IPv6
- Support firewall level Settings, support based on URL/MAC/ IP/ address frame filtering
- Support multicast IGMP v2 proxy/ snooping, support MLD proxy/ snooping
- Qos supports PQ, WRR, and CAR queue scheduling
- Provide Maximum rate 300Mbps 2.4GHz Wireless

interface, 2T2R external antenna, support multiple SSID Settings

- Support DDNS, ALG, DMZ and UPNP

Highlights:

- Support EPON/GPON mode and switch mode automatically
- Integrate OMCI(GPON)/OAM(EPON) and TR-069 remote configuration and maintenance
- **Support PPPoE/ Static IP/ DHCP**
- Support IPv4, IPv6 and IPv4/IPv6
- Provide Maximum rate 300Mbps 2.4GHz Wireless interface, 2T2R external antenna, support multiple SSID Settings
- Chipset : Realtek
- **Compatible with 95% Third-party OLTs (Including Huawei/ZTE/Fiberhome/BT-PON and so on)**



Hardware Specifications

- Size: 192mm*148mm*35mm
- Optical signal access: 1*GPON/EPON
- User interface: 1GE+3FE+2.4G WLAN+1USB
- Indicator light: POWER/PON/LOS/LAN1/LAN2/LAN3/LAN4/USB/2.4G/WPS
- Button: Power switch Button, Reset Button, WLAN Button, WPS Button
- Weight: 250g
- Power adapter input: 100V~240V AC, 50Hz~60Hz
- PowerSupply requirement: 12V DC, 1.5A
- Power consumption: <10w
- Working temperature: -10°C ~ +45°C
- Environment humidity: 5% ~ 95% (Non-condensing)

Ethernet Interface

- Interface type: 4* RJ45
- Interface parameters: 1*10/100/1000Mbps and 3*10/100Mbps

Product Packing Size

Package included:



- ONU * 1 PC
- Power adaptor *1 PC
- Manual *1 PC
- Box *1 PC

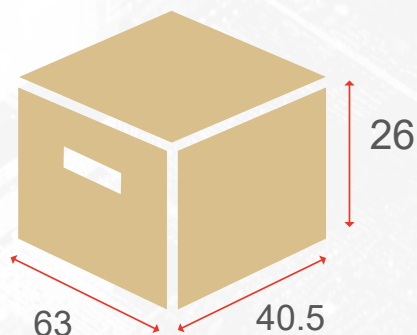
PON Interface

- Module type: SC/APC
- Working wavelength: up 1310nm, down 1490nm
- TX Optical power value: 0.5~4dbm
- RX Optical power sensitivity: -28dBm
- Transmission distance: 0~20km
- Transmission rate:
GPON:Up 1.244Gbps; down 2.488Gbps
EPON:Up 1.244Gbps; down 1.244Gbps

Wireless

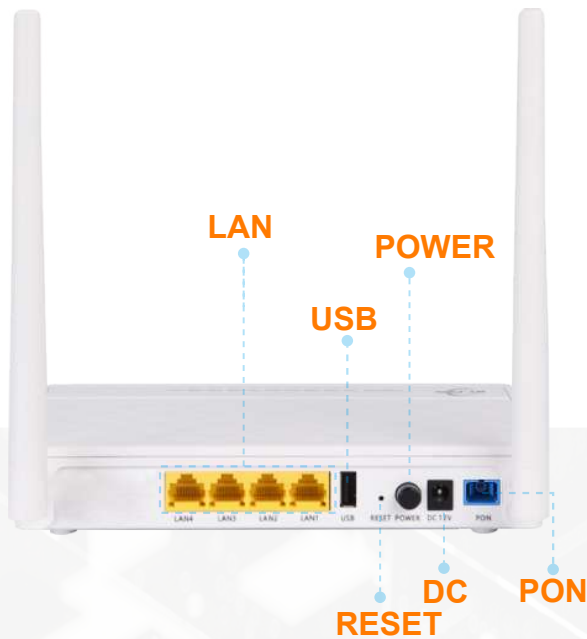
- Working mode: IEEE 802.11 b/g/n
- Antenna pattern: External 2T2R External antenna
- Antenna gain: 5dBi
- Wireless bandwidth: Support 20MHz/40MHz
- Interface rate: 2.4GMaximum rate 300Mbps
- SSID: Up to 4 SSID broadcasts are supported

Packing list:



- 20pcs/carton
- measurement: 63*40.5*26 CM, 14kg

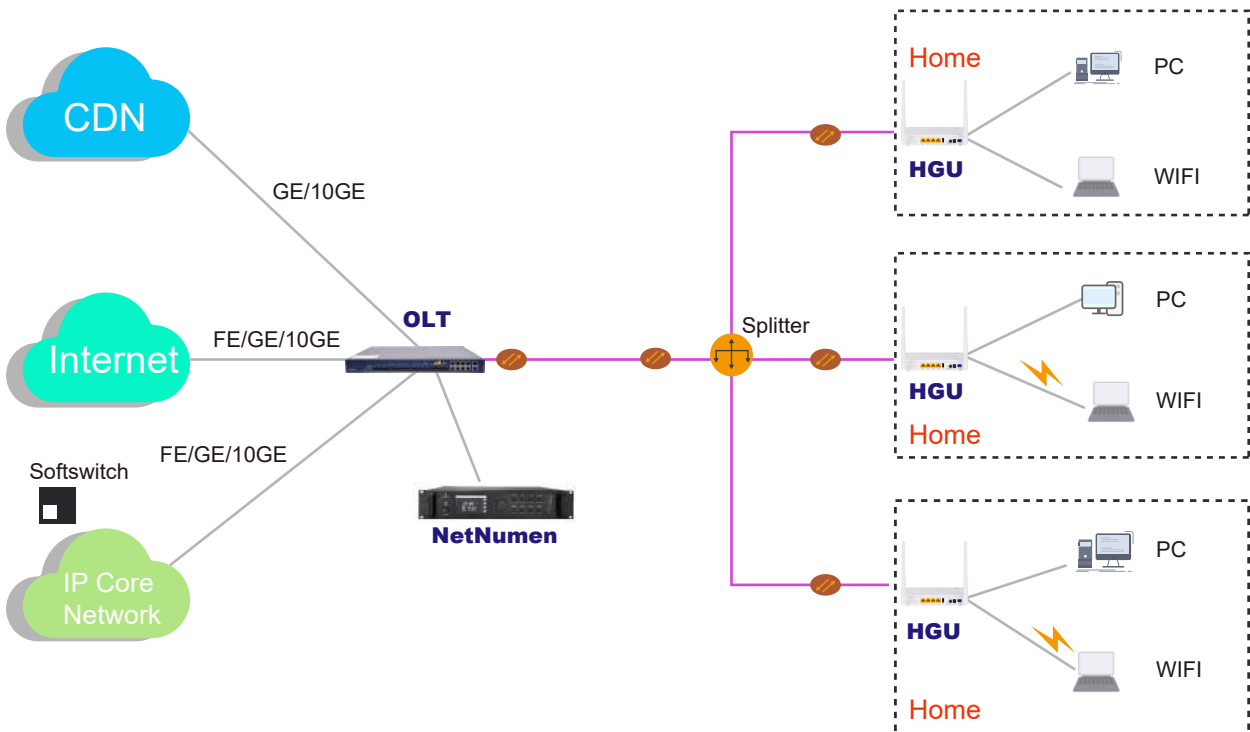
Interface :



• **Compatible with OLT Huawei/ ZTE/Fiberhome**

- PON
- POWER
- RESET
- USB
- LAN

Application Scenario





Company Introduction

Shenzhen Baitong Putian Technology Co., Ltd. has more than 10 years experience in fiber optical equipment industry since from 2008, specializes in the research and development of optical access network technology especially ONU and OLT. It provides integrated network transmission products such as voice, data, and video based on IP networks.

Service Support:

- Fully understand the needs of customers, and create value for customers with advanced technology, considerate service, and tailor-made solutions.
- Provides customers with a full range of after-sales service and technical support, and strive to create value for customers.

Company Mission:

- Fight for Access the world

Shenzhen Baitong Putian Technology Co., Ltd.

-  Website: www.bt-pon.com
-  Email: marketing@bt-pon.com
-  Address: 3rd Floor, Building B, Honghua Technology Innovation Park, Laowei First Industrial Zone, Longhua District, Shenzhen, China

